

**OPERATOR'S
SPARE PARTS &
SERVICE MANUAL**



**PLATE COMPACTOR
MODEL FPC350, FPC400 &
FPC 450
(GB Version)**

FAIRPORT

CONSTRUCTION EQUIPMENT LTD

Blagden Street
Sheffield
S2 5QS
ENGLAND
Tel: +44 (0) 114 276 7921
Fax: +44 (0) 114 272 0965
Email: sales@fairport.uk.com
Web: www.fairport.uk.com

CONTENTS
PAGE

1. SAFETY 2
SAFETY PICTOGRAMS USED ON FAIRPORT EQUIPMENT 2

2. TECHNICAL DATA 3

3. USING THE MACHINE FOR THE FIRST TIME..... 4

4. ROUTINE MAINTENANCE 4

5. STARTING THE ENGINE 5

6. OPERATOR INSTRUCTIONS 5

7. VEE BELT ADJUSTMENT 5

8. WARRANTY CONDITIONS AND CLAIMS PROCEDURE 5
CONDITIONS 6
CLAIMS PROCEDURE 6

9. REPAIRS AND ESTIMATES 7

10. ENVIRONMENT..... 7

11. PARTS LIST
MACHINE 8
POLYPAD MAT KIT..... 14
WATER SPRINKLER KIT 15
TRANSPORTER KIT..... 17

EC Declaration Of Conformity

1. SAFETY

- Do not operate this machine unless all guards are in position and secure.
- Do not smoke when refuelling.
- Do not refuel with engine running.
- Wipe up spilt fuel.
- Do not overfill.
- Dispose of fuel contaminated wipes safely
- Do not run engine in enclosed areas without adequate ventilation.
- Do not run engine in an area that has a hazardous or explosive atmosphere.
- Disconnect H.T. lead from spark plug on petrol engines before carrying out any maintenance.
- Turn off fuel when not using machine.
- Wear protective footwear, ear defenders and gloves.
- Comply with site safety regulations.
- Check condition and tightness of anti-vibration mounts between engine plate and base plate before lifting.

SAFETY PICTOGRAMS USED ON FAIRPORT EQUIPMENT



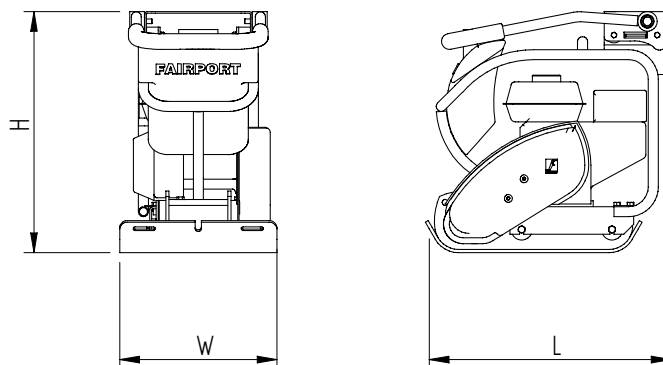
2. TECHNICAL DATA

ENGINE

MODEL	ENGINE MANUFACTURER	ENGINE MODEL	POWER (HP/kW)
FPC350	Honda	GX160	5.5/4.0
FPC400	Honda	GX160	5.5/4.0
FPC450	Honda	GX160	5.5/4.0

DIMENSIONS

MODEL	HEIGHT – H (mm)	LENGTH – L (mm)	WIDTH – W (mm)	CONTACT AREA (sq. m)	WEIGHT (kg)
FPC350	614	625.2	350	0.13	65
FPC400	614	625.2	400	0.14	67
FPC450	614	625.2	450	0.16	69



PERFORMANCE

MODEL	CENTRIFUGAL FORCE (kN)	COMPACTION RATIO (kg/m ²)	VIBRATION LEVELS (m/sec ²)
FPC350	14	500	TBA
FPC400	14	435	2.60*
FPC450	14	440	2.87*

*Tested in accordance with BS EN 500-4 on uncompacted granular sub base materials and is the minimum expected level.

NOISE EMISSIONS

MODEL	GUARANTEED SOUND POWER LEVEL (dB Lwa)
FPC350	107
FPC400	107
FPC450	107

3. USING THE MACHINE FOR THE FIRST TIME

When the machine is delivered from Fairport it will have **no oil in the engine**. Please refer to the Engine Manufacturers Manual issued with the machine for instructions on filling the engine with the correct type and quantity of oil.

When the machine is delivered from Fairport **there is oil in the vibrator unit**. Refer to Section 4 for advise on checking the oil level and topping up as required.

4. ROUTINE MAINTENANCE

(See Also The Engine Manufacturer's Book Issued With The Machine)

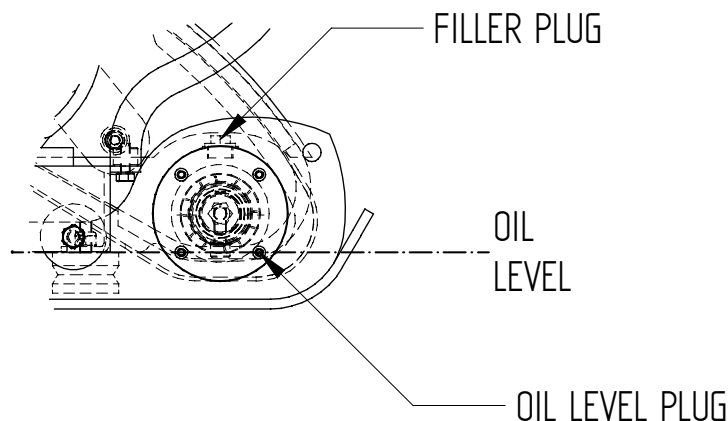
Daily: Check engine oil level twice daily.
Check tightness of all fastenings after first days use, thereafter check monthly.
Check belt tension after first days use, thereafter check monthly.
Clean air filter daily if working in dusty conditions.
Clean base plate thoroughly if compacting black-top or lean concrete.

Weekly: Clean air filter (see "daily").
Check Vibrator Oil Level

Monthly: Check tightness of fastenings.
Check condition and tightness of anti-vibration mounts. Poor condition of vibration mountings can lead to a deterioration of the product vibration levels.
Check belt tension.

Vibrator Unit

Remove the Oil Level Plug to check the oil level. The level should be at the bottom of the thread in the vibrator end face. To top up, remove the filler plug and fill with Total PRESLIA 32 or equivalent.



5. STARTING THE ENGINE

Check oil level

Turn fuel tap on.

Put speed control lever to tick-over.

If engine is cold, close the choke (petrol engines only).

Turn engine switch to ON(1) position.

Pull the starter rope toggle lightly until resistance is felt, then pull briskly using quick short pull. Do not pull rope to its full extent or allow toggle to snap back against engine. Return gently to avoid damage.

When the engine is warm, open choke.

Position engine speed control lever to give required engine speed (usually full speed).

Commence vibration – the compactor is self – travelling.

To stop the engine, position the engine speed control to slow and turn the engine switch to off(0).

Turn the fuel valve off.

6. OPERATOR INSTRUCTIONS

Read section (1) - Safety.

NOTE: Drive between engine and vibrator is through a centrifugal clutch. Vibration will commence as engine speed is increased.

Position the engine speed control lever to give required speed (usually full speed).

Commence compaction. The compactor is self-travelling. Its speed of travel and the number of passes required to achieve optimum compaction depends on the type and condition of material being compacted and the layer depth.

Uniformly graded granular material compacts far more efficiently than wet cohesive material.

When Compacting block paving always use a rubber attachment mat, contact your agent for details.

When compacting blacktop always use a water spray, contact your agent for details.

Do not run the machine on solid surfaces, as this is likely to cause damage.

7. VEE BELT ADJUSTMENT

It is important to note that belt tension in this application is much less than is generally accepted as normal. Too high a belt tension may lead to engine damage, excessive vibration in the handle, short belt life and short vibrator shaft bearing life due to excessive transmission of vibration through the belt. Correct adjustment is achieved by moving the engine back to just take the slack out of the belt. With light finger pressure on top of the belt and at the centre of the span, a deflection of between 5mm and 10mm is expected.

8. WARRANTY CONDITIONS AND CLAIMS PROCEDURE

All products supplied by Fairport Construction Equipment Ltd (hereafter referred to as FCE) are warranted to be free of defects due to faulty materials or workmanship for a period of 12 months from the date of original despatch from FCE or as specified below:

Hydraulic hoses and hydraulic couplings – 3 months.

Hydraulic accumulators – 6 months.

Flexible drives – 6 months.

All spare parts used in repairs carried out by FCE or an authorised dealer or repairer – 3 months.

If the goods have been purchased through a stockist the above warranty periods also apply from receipt of the goods by the user of the equipment up to a total of a further 6 months from date of despatch from FCE whichever is earlier.

Filter elements, gauges and oils are specifically excluded from this warranty.

FCE shall at their option repair or replace during normal working hours goods accepted as faulty free of charge to the user.

For proprietary items such as engines, the original manufacturer's warranty and conditions shall apply.

CONDITIONS

The goods shall be returned at the purchaser's expense to FCE or to a destination FCE may reasonably direct. Carriage costs will be refunded if warranty is accepted. Warranty claims will not be considered where there is evidence that failure has been caused by carelessness, improper use, negligence, inadequate servicing, incorrect engine speeds, fair wear and tear or non-compliance with instructions issued by the manufacturer.

To the extent permitted by law, the liability of FCE under this section is confined only to providing a remedy for defective goods and does not extend to any consequential loss, loss of profit, injury or damage suffered.

Warranty will not be accepted on dismantled goods unless dismantling was carried out with the written permission of FCE.

No claim shall be considered if other than genuine parts supplied by FCE have been used.

Products are only covered by this warranty in the country to where they were supplied by FCE.

Warranty on products applies only to the original user of the equipment.

This warranty shall not apply if the serial number or other identifying numbers or marks applied by FCE have been removed, defaced or are otherwise illegible.

CLAIMS PROCEDURE

Check that the goods are still under warranty before returning them to FCE (see above for warranty periods).

Return the goods to FCE with an order number for the work to proceed. If warranty is accepted no charge will be made. If warranty is not accepted a quotation will be given for the repair and the conditions under the section headed REPAIRS AND ESTIMATES will apply.

In the customer's interest, goods must be accompanied by documentation detailing the nature of the fault or its symptoms. Phrases such as 'Faulty' are unacceptable

and will result in delays and possible charges to defray costs incurred in identifying the fault.

In the case of hydraulic breakers and power packs, both the breaker and the pack should be returned.

9. REPAIRS AND ESTIMATES

When returning a machine, or an assembly for repair, always include an Advice Note quoting model and serial number of the machine.

An official order must also be forwarded to FCE giving detailed instructions. No repair work can be carried out unless covered by an official order.

An estimate will be submitted before proceeding with any repair. To partly cover the cost in dismantling, cleaning and inspection, a small charge will be made, this however will be waived upon receipt of your official instructions to proceed with the repair.

In the event of the estimate not being accepted, a further charge will be made to defray the rebuilding of the machine.

Estimates must be treated as approximate only as it may be found necessary to use additional parts on further examination.

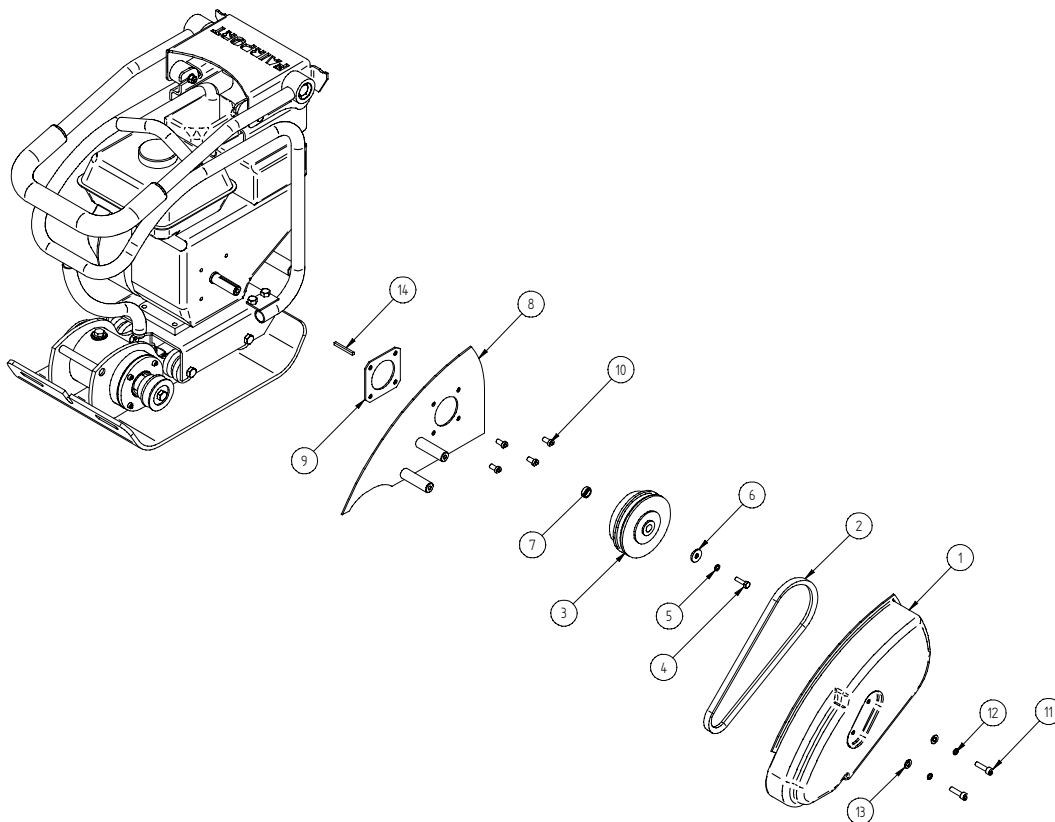
10. ENVIRONMENT

This machine contains materials that can be recycled. We recommend that when the machine is disposed off it is done safely and in a way that protects the environment.

Part Description	Materials
Engine	Aluminium and steel
Baseplate	Steel
Engine Frame	Steel
Engine Bedplate	Steel
Belt Cover	High Density Polyethylene
Handle	Steel and Polyurethane
Ant vibration Mounts	Steel and rubber
Block Paving Kit (if fitted)	Steel and Polyurethane
Water Bottle Kit (if fitted)	Steel and Medium Density Polyethylene
Transporter Kit (if fitted)	Steel and Rubber

10. PARTS LIST - MACHINE DRIVE SYSTEM

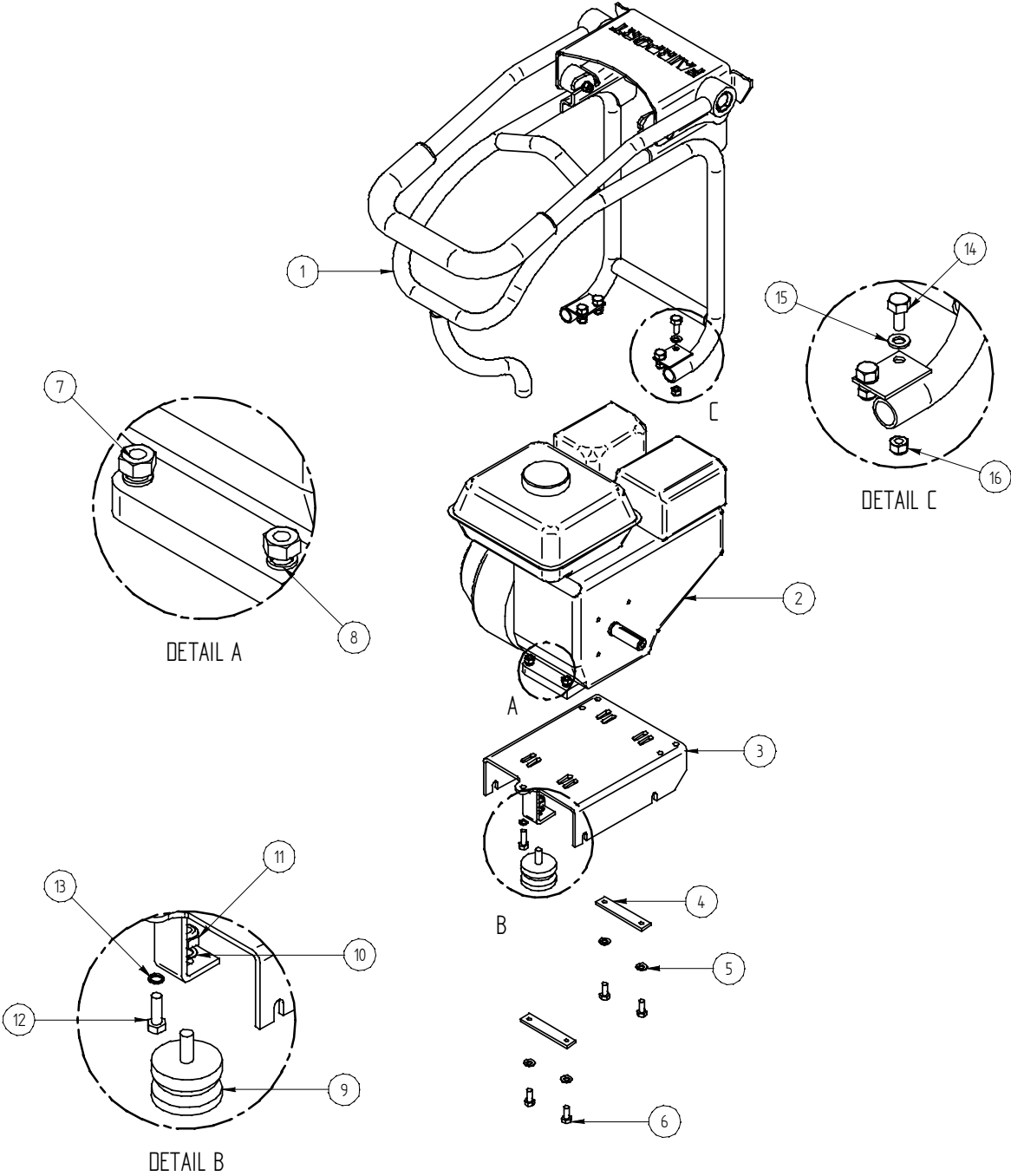
<u>Parts List</u>	<u>Part Code</u>	<u>Description</u>	<u>Qty Required</u>
1	W14702	Belt Guard	1
2	W87300	Vee Belt	1
3	W87060	Clutch	1
4	P80167	1/4 UNF x 1	1
5	W432/6	Spring Washer	1
6	P80120	Large Washer	1
8	W14689	Belt Guard Back Plate	1
9	W14681	Engine Spacer	1
10	W466/5/8	Csk Setscrews	4
11	W437/8/20	M8 x 20 Setscrew	2
12	W432/8	M8 Spring Washer	2
13	W418/8	M8 Washer	2
14	W14690	Engine Shaft Key	1



PARTS LIST – MACHINE

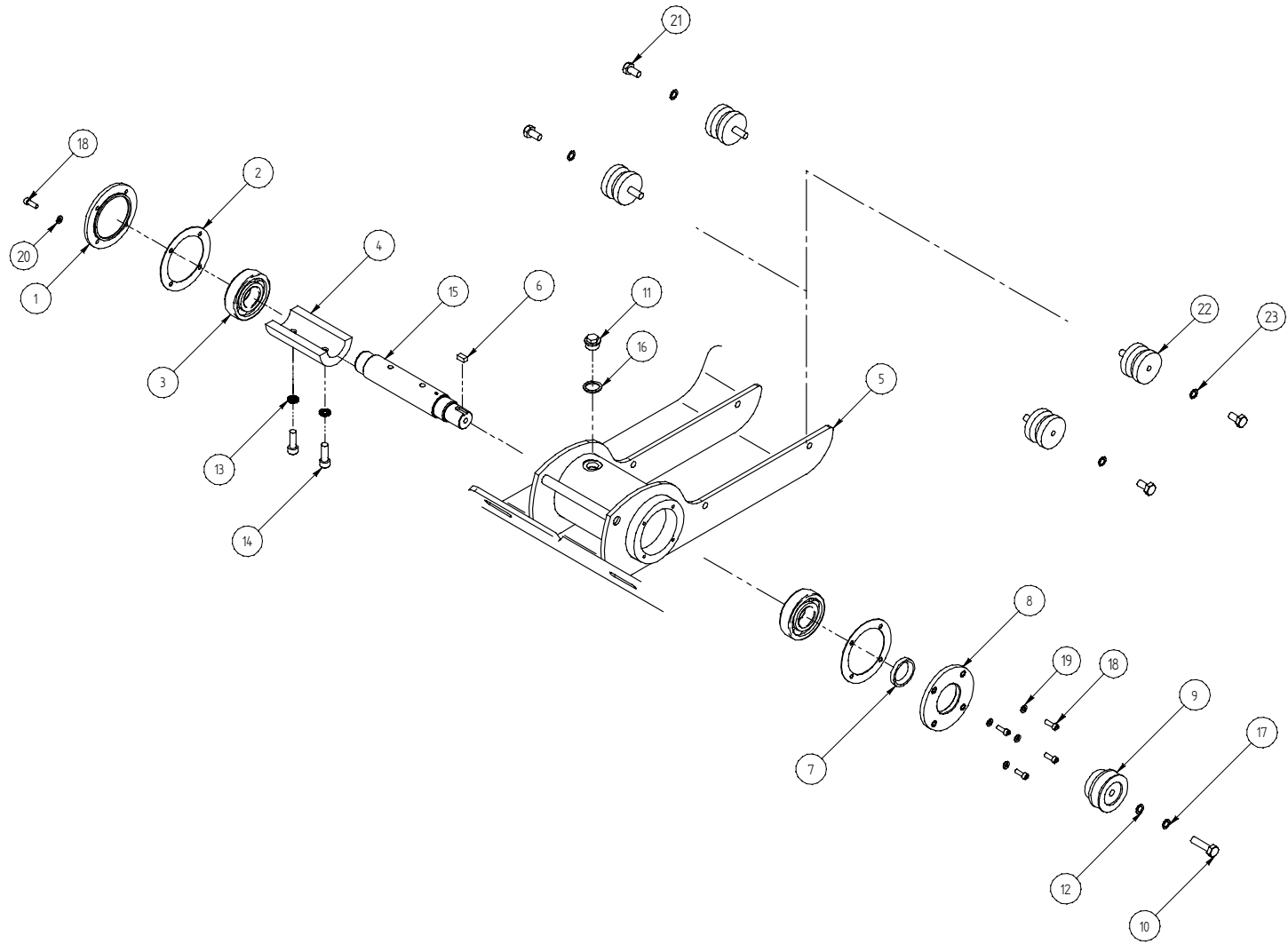
<u>Parts List</u>	<u>Part Code</u>	<u>Description</u>	<u>Qty Required</u>
1	W14641	Frame	1
2	W81731	Honda GX160	1
3	W14640	Engine Bed Plate	1
4	W14686	Engine Fixing Plate	1
5	W418/8	Washer	4
6	W437/8/45	Setscrew	4
7	W440/8	Nut	4
8	W432/8	Spring Washer	4
9	W88914	Buffer	1
10	W432/10	Spring Washer	1
11	W440/10	Nut	1
12	W435/8/25	Setscrew	1
13	W432/8	Spring Washer	1
14	W437/8/20	Setscrew	4
15	W418/8	Washer	4
16	W480/8	Nyloc Nut	4

PARTS DIAGRAM - MACHINE



PARTS LIST – BASE PLATE

<u>Parts List</u>	<u>Part Code</u>	<u>Description</u>	<u>Qty Required</u>
1	W14653	End Cap	1
2	W14679	Gasket	2
3	W81090	Bearing	2
4	W14659-2	Eccentric Weight	1
5	W14652	Base (FPC350)	1
5	W14657	Base (FPC400)	1
5	W14658	Base (FPC450)	1
6	W87301	Key 8 x 7 x 15	1
7	W81270	Oil Seal (Up To Serial No. 58427)	1
7	W81271	Oil Seal (From Serial No. 58428)	1
8	W14655	End Cap (Up To Serial No. 58427)	1
8	W14707	End Cap (From Serial No. 58428)	1
9	W14656	Pulley	1
10	W435/10/40	Hex Bolt M10 x 40	1
11	W68574	Filler Cap	1
12	W418/10	M10 Washer	1
13	W535/10	M10 Nordlock Washer	1
14	W455/10/30	M10 x 30 Socket Head Cap Screw	2
15	W14659-1	Eccentric Shaft (Up To Serial No. 58427)	1
15	W14706	Eccentric Shaft (From Serial No. 58428)	1
16	P85034	Dowty Washer	1
17	W432/10	M10 Spring Lock Washer	1
18	W455/6/18	M6 Socket Head Capscrews	8
19	W432/6	M6 Spring Washer	7
20	P70282	Dowty Washer	1
21	W437/10/18Z	M10 Setscrews	4
22	W88911	AV Mounts	4
23	W432/10	M10 Spring Washers	8
--	W418/10	AV Mount M10 Washers	4
--	W440/10	AV Mount M10 Nuts	4

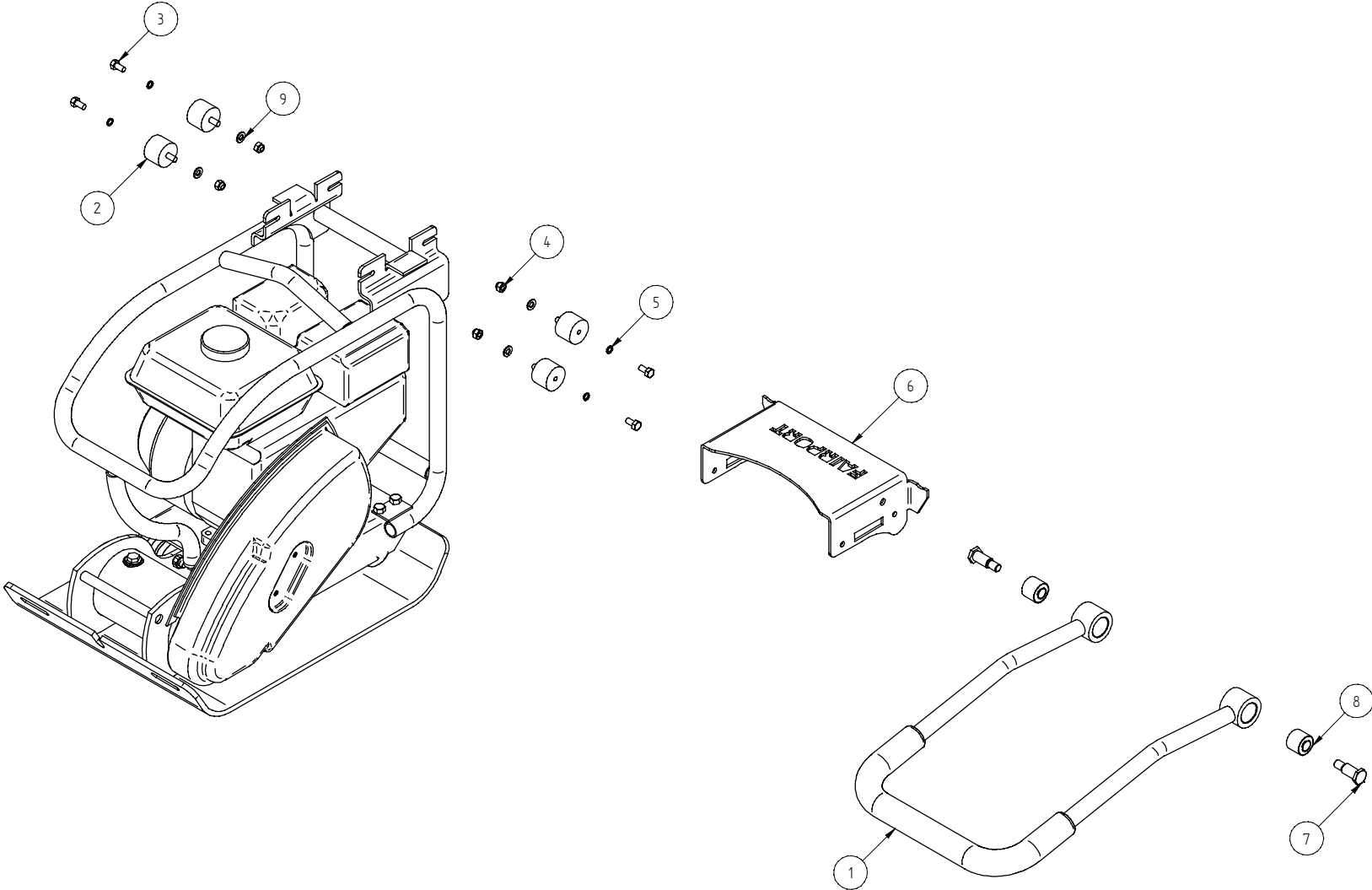


FPC-350, 400
PLATE

PARTS LIST - MACHINE

<u>Parts List</u>	<u>Part Code</u>	<u>Description</u>	<u>Qty Required</u>
1	W14648	Handle	1
2	W88913	AV Mount AVM 272/01	4
3	W435/8/16	M8 x 16 Hex Bolt	4
4	W480/8	M8 Nyloc Nut	4
5	W432/8	M8 Spring Lock Washer	4
6	W14645	Top Plate	1
7	W14683	Handle Pivot Bolt	2
8	W88912	Handle Bush	2
9	W418/8	M8 Washer	4

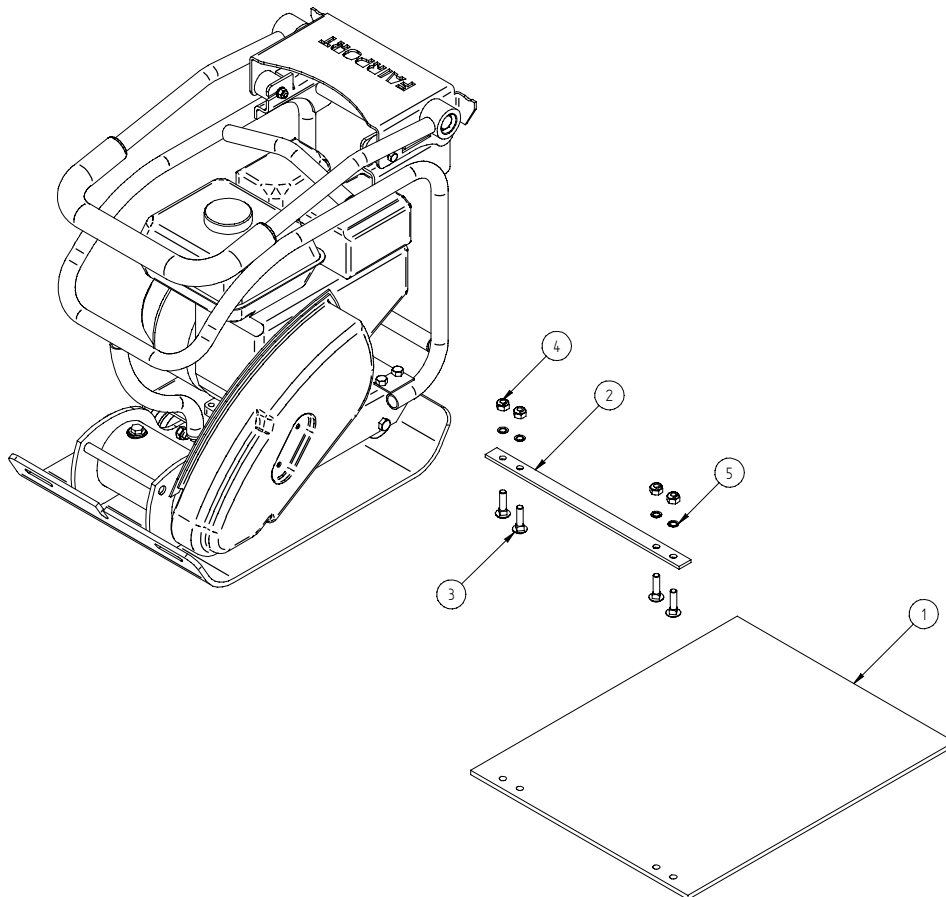
PARTS DIAGRAM



PARTS LIST – POLYPAD MAT KIT

MODEL	PARTS LIST	PART CODE	DESCRIPTION	QTY REQUIRED
FPC350	1	W14758	Polypad	1
	2	W14757	Clamp Bracket	1
FPC400	1	W14726	Polypad	1
	2	W14730	Clamp Bracket	1
FPC450	1	W14727	Polypad	1
	2	W14731	Clamp Bracket	1
Common Parts				
	3		M10 x 40 Coach Bolts	4
	4	W480/10	M10 Nyloc Nut	4
	5	W418/10	M10 Washer	4

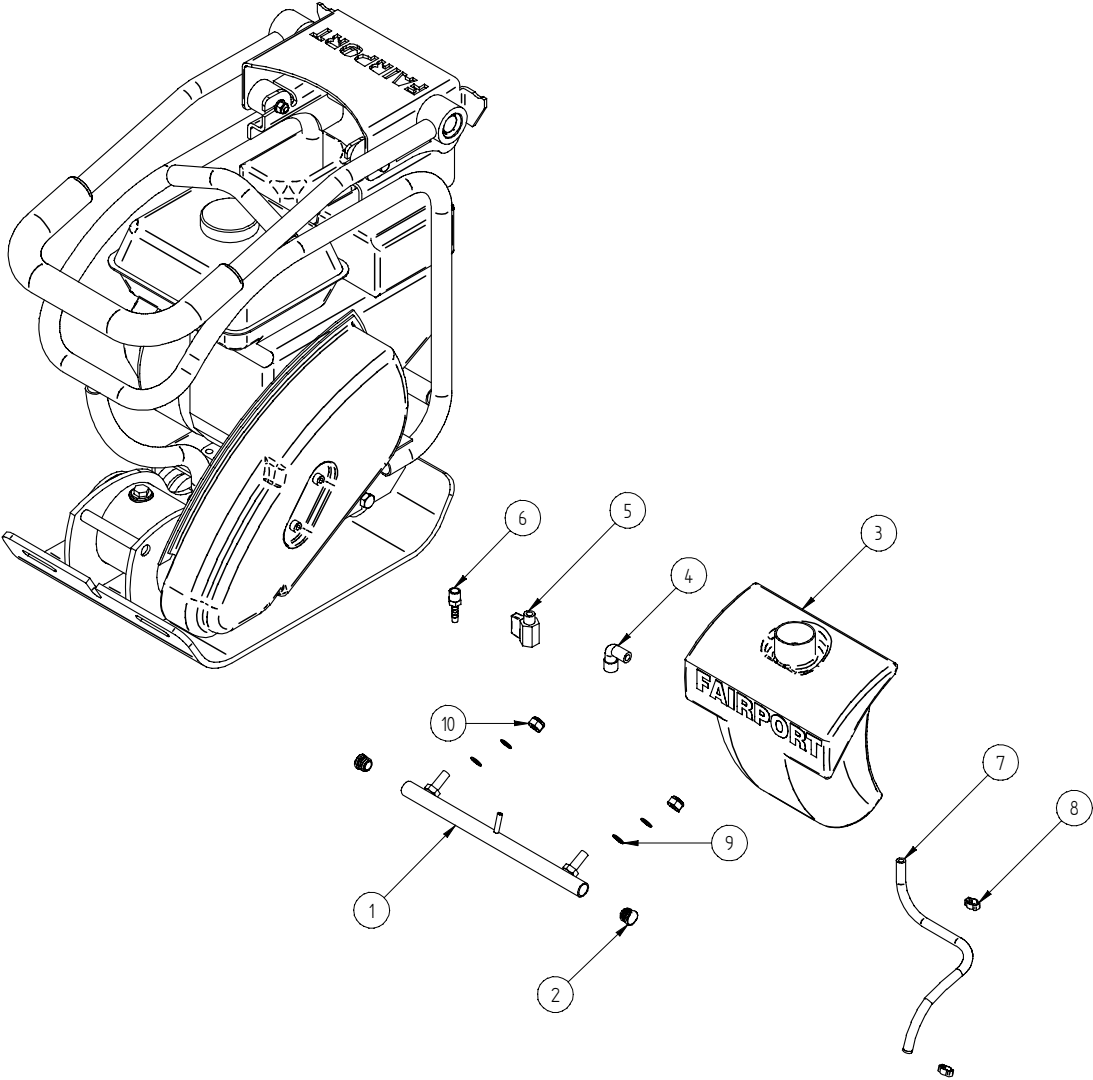
The Paving Mat Kits have been designed to allow the machine to be used for compacting hard paving. To fit the mat, insert the lugs on the Mat into the slots in the Baseplate. Fold under the machine. Ensure that the correct size of Paving Mat is selected to match the Baseplate width.



PARTS LIST – WATER SPRINKLER KIT

MODEL	PARTS LIST	PART CODE	DESCRIPTION	QTY REQUIRED
FPC350	--	W14697	Spray Bar Complete	--
	1	W14696	Spray Bar	1
	2	W80566	Insert	2
FPC400	--	W14699	Spray Bar Complete	--
	1	W14698	Spray Bar	1
	2	W80566	Insert	2
FPC450	--	W14701	Spray Bar Complete	--
	1	W14700	Spray Bar	1
	2	W80566	Insert	2
Common Parts				
	3	W14651	Water Bottle	1
	4	W88460	¼" BSP M/F Elbow	1
	5	W87864	¼" BSP M/F Ball Valve	1
	6	W88046	Hose Tail ¼" x ¼"	1
	7	W14713	Hose	1
	8	W84189	O Clip	2

PARTS DIAGRAM



PARTS LIST – TRANSPORTER KIT

<u>Parts List</u>	<u>Part Code</u>	<u>Description</u>	<u>Qty Required</u>
1	W14673	Wheel Carriage	1
2	W14674	Wheel Bracket	1
3	W14673-9	Axle	1
4	0079-00	Wheel	2
5	W14716	Wheel	2
6	W800-8	Indexing Plunger	1
7		Nut – Indexing Plunger	1
8	W418/12	M12 Washer	2
9	W480/12	M12 Nyloc Nut	2
10	W418/8/25	M8 x 25 Washer	2
11	W432/8	M8 Spring Lock Washer	2

PARTS DIAGRAM – TRANSPORTER KIT

